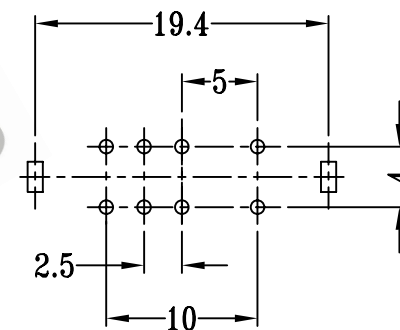
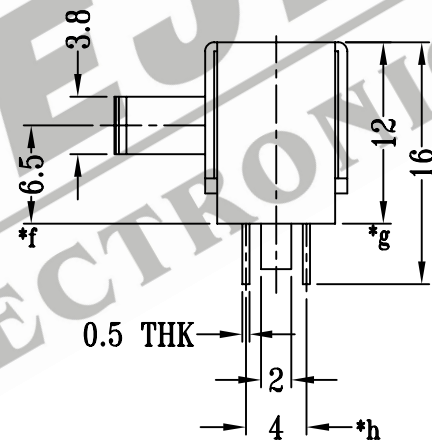
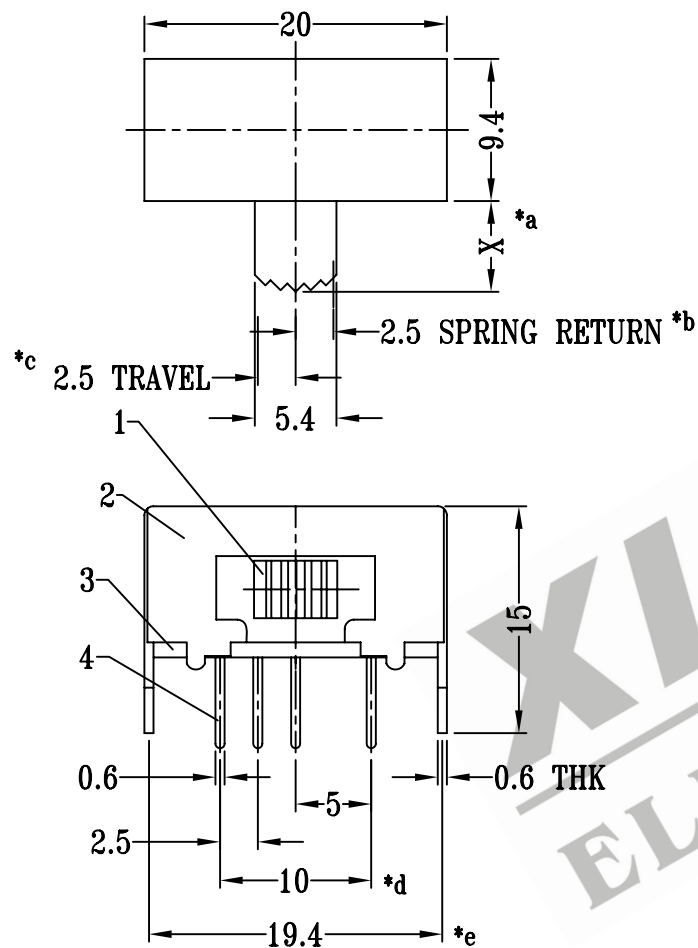


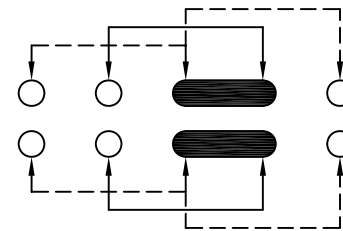


CAD FILE:



P.C.B LAYOUT

SCHEMATIC (SHORTING)



注:带"\*"表示关键尺寸(8个)

NO.	PART NAME	MATERIAL	QTY	FINISHING	TOLERANCE UNLESS SPECIFIED	SHENZHEN XIEJIA ELECTRONICS CO.,LTD.				
8						ISSUE	DATE	DESCRIPTIONS		APPD
7	STEEL STRIP	STEEL	1	NATURAL	WITHIN: 1.5±0.1mm OVER : 1.5±0.2mm					
6	SPRING	STAINLESS STEEL	1	TEMPER		UNIT : MM		DRWG NO.: XJ-DR-PSK23E01-00		
5	CONTACT (CLIP)	PBS STRIP	2	Ag PLATED		SCALE: 2:1		DWN	ZHOUYU	2004-11-15
4	TERMINAL	BRASS STRIP	8	Ag PLATED OVER Ni PLATED	TITLE: SPECIAL FUNCTION SWITCH			CHK'D	FANGYING	2004-11-15
3	TERMINAL BASE	PHENOLIC RESIN	1	NATURAL	MODEL: PSK-23E01			APPD	KANGXINAN	2004-11-15
2	FRAME	STEEL STRIP	1	Ni PLATED	ALL MATERIALS MUST BE COMPLIANT TO ROHS					
1	KNOB	POM	1	BLACK						